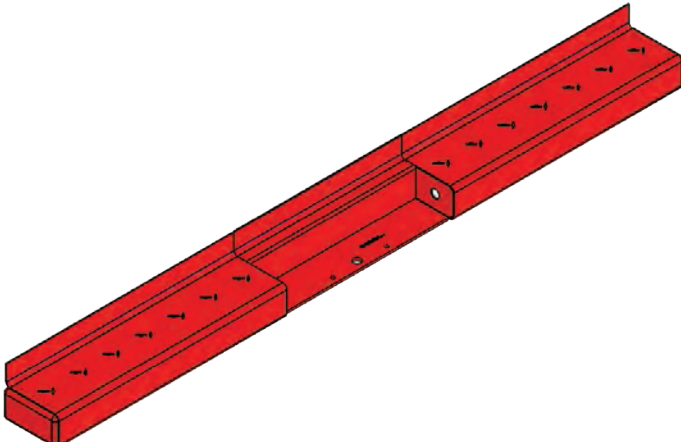
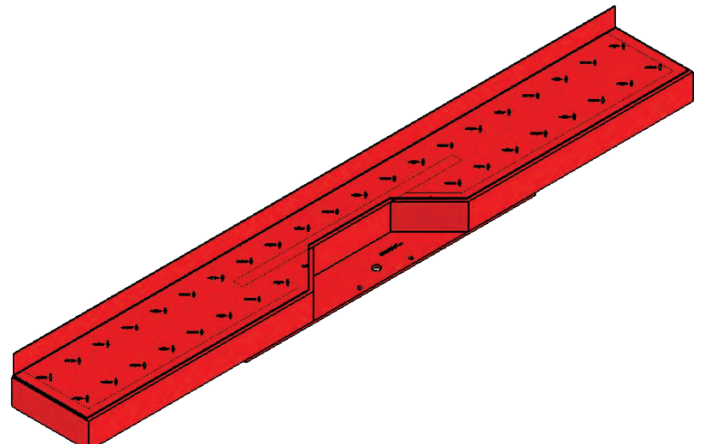


BALL HITCH RECESSED BUMPERS



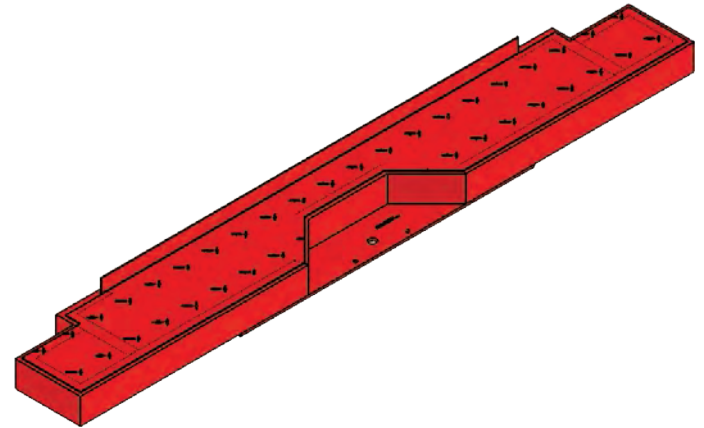
8" Treadplate Bumper

Model	Style	Length
†BPRBHR808CD	Ball Hitch Recess	80"
*BPRBHR808D	Ball Hitch Recess	80"
†BPRBHR948CD	Ball Hitch Recess	94"
BPRBHRTTP678	Ball Hitch Recess	67"
BPRBHRTTP708	Ball Hitch Recess	70"
BPRBHRTTP788	Ball Hitch Recess	78"
BPRBHRTTP808	Ball Hitch Recess	80"
BPRBHRTTP888	Ball Hitch Recess	88"
BPRBHRTTP948	Ball Hitch Recess	94"



12" Treadplate Bumper

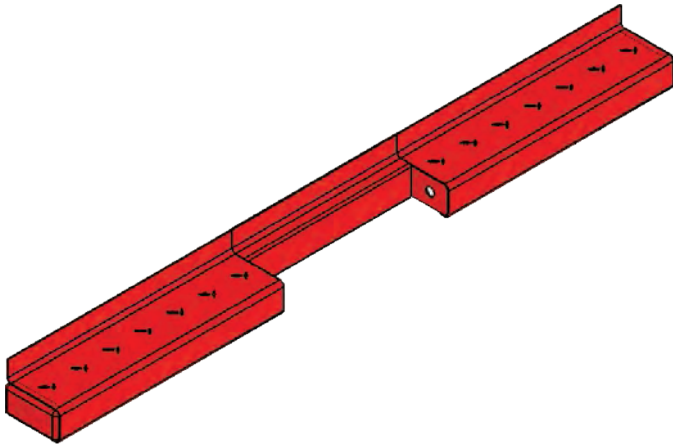
Model	Style	Length
†BPRBHR80CDC	Ball Hitch Recess	80"
†BPRBHR94CDC	Ball Hitch Recess	94"
BPRBHRTTP78C	Ball Hitch Recess	78"
BPRBHRTTP80C	Ball Hitch Recess	80"
BPRBHRTTP88C	Ball Hitch Recess	88"
BPRBHRTTP94C	Ball Hitch Recess	94"



12" Treadplate Outrigger Bumper and Step Plate

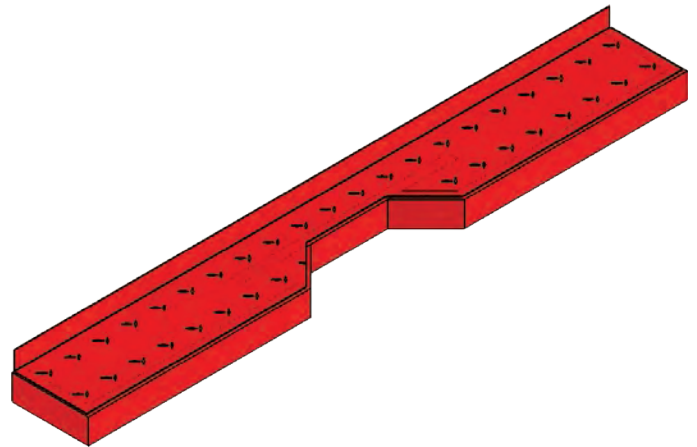
Model	Style	Length
BPRBHROR89	Ball Hitch Recess	89"
BPRBHROR94	Ball Hitch Recess	94"

Designed for use with C series Crane Bodies



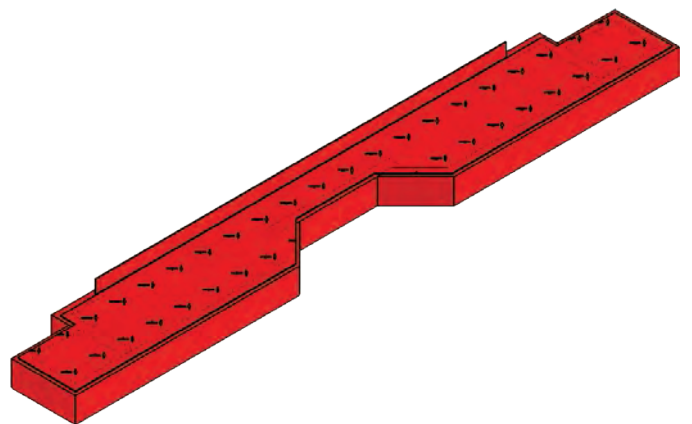
8" Treadplate Bumper

Model	Style	Length
†BPRPHR808CD	Pintle Hook Recess	80"
*BPRPHR808D	Pintle Hook Recess	80"
†BPRPHR948CD	Pintle Hook Recess	94"
BPRPHRTP788	Pintle Hook Recess	78"
BPRPHRTP808	Pintle Hook Recess	80"
BPRPHRTP888	Pintle Hook Recess	88"
BPRPHRTP948	Pintle Hook Recess	94"



12" Treadplate Bumper

Model	Style	Length
†BPRPHR80CDC	Pintle Hook Recess	80"
†BPRPHR94CDC	Pintle Hook Recess	94"
BPRPHRTP78C	Pintle Hook Recess	78"
BPRPHRTP80C	Pintle Hook Recess	80"
BPRPHRTP88C	Pintle Hook Recess	88"
BPRPHRTP94C	Pintle Hook Recess	94"



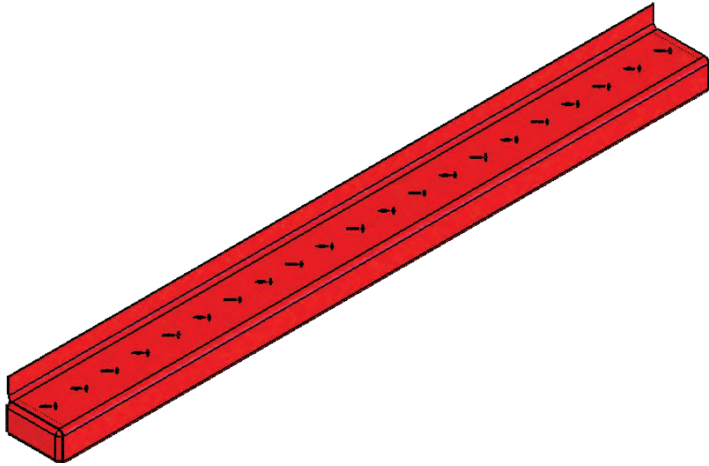
12" Treadplate Outrigger Bumper and Step Plate

Model	Style	Length
BPRPHROR89	Pintle Hook Recess	89"
BPRPHROR94	Pintle Hook Recess	94"

Designed for use with C series crane bodies

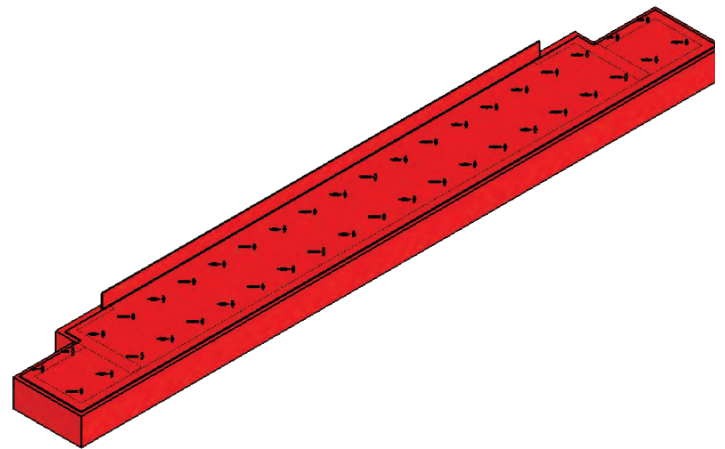
† 2007 and newer Dodge cab chassis.

* 2003 and newer Dodge pickup.



8" Treadplate Plain Bumper

Model	Style	Length
†BPRPLN808CD	Plain	80"
*BPRPLN808D	Plain	80"
†BPRPLN948CD	Plain	94"
BPRPLNTP678	Plain	67"
BPRPLNTP708	Plain	70"
BPRPLNTP788	Plain	78"
BPRPLNTP808	Plain	80"
BPRPLNTP888	Plain	88"
BPRPLNTP948	Plain	94"



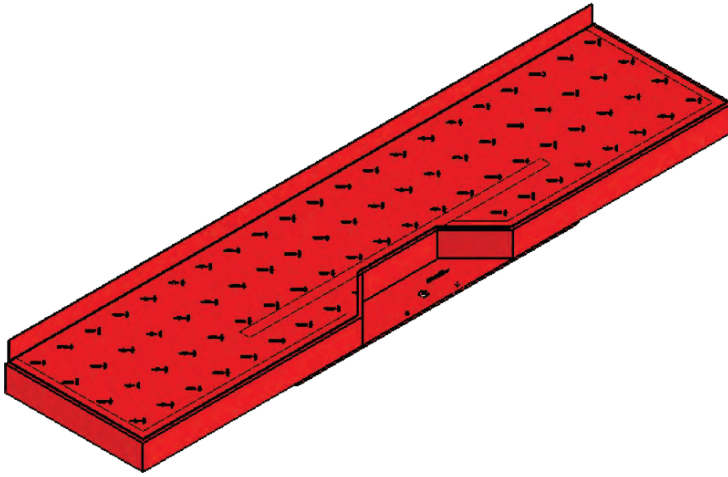
12" Treadplate Outrigger Bumper and Step Plate

Model	Style	Length
BPRPLNOR89	Plain	89"
BPRPLNOR94	Plain	94"

Designed for use with C series crane bodies

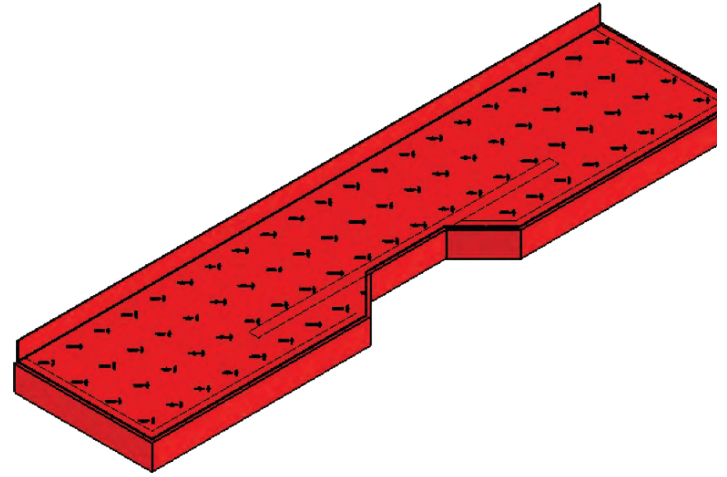
† 2007 and newer Dodge cab chassis.

* 2003 and newer Dodge pickup.



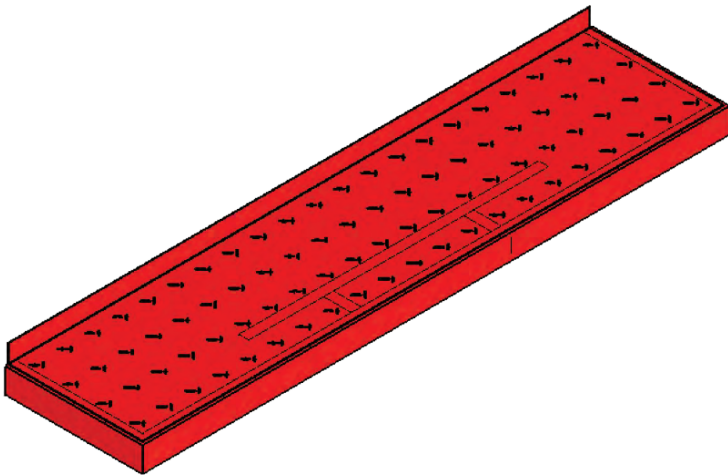
22" Treadplate Workbench Ball Hitch Recess

Model	Style	Length
BPRBHRWB80	Ball Hitch Recess	80"
*BPRBHRWB80D	Ball Hitch Recess	80"
BPRBHRWB89	Ball Hitch Recess	89"
BPRBHRWB94	Ball Hitch Recess	94"



22" Treadplate Workbench Pintle Hitch Recess

Model	Style	Length
BPRPHRWB80	Pintle Hook Recess	80"
*BPRPHRWB80D	Pintle Hook Recess	80"
BPRPHRWB89	Pintle Hook Recess	89"
BPRPHRWB94	Pintle Hook Recess	94"

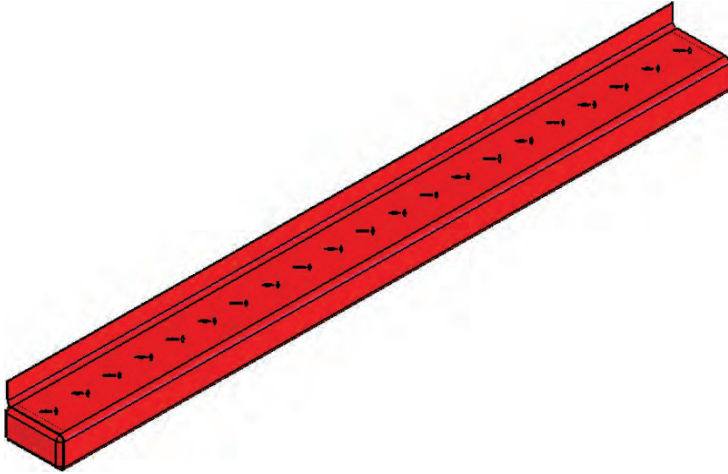


22" Treadplate Workbench Plain

Model	Style	Length
BPRPLNWB80	Plain	80"
*BPRPLNWB80D	Plain	80"
BPRPLNWB89	Plain	89"
BPRPLNWB94	Plain	94"

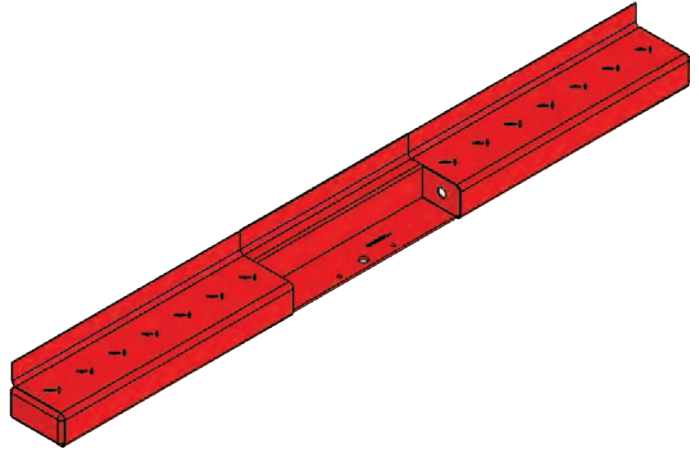
*2003 and newer Dodge pickup.

PLAIN BUMPERS



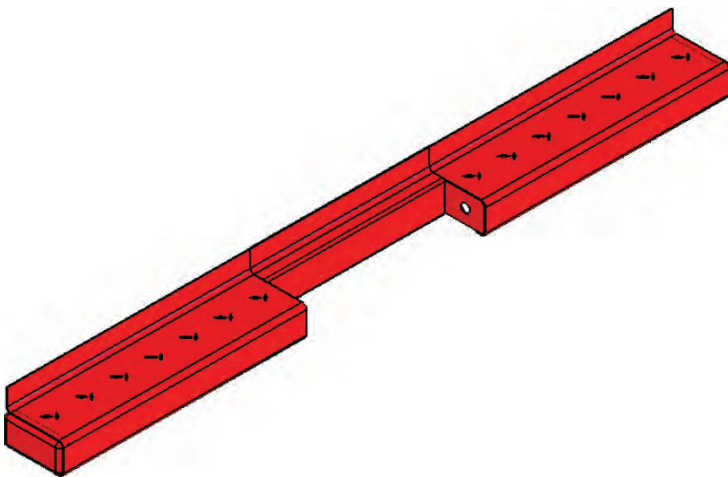
Model	Style	Length
BBPRPLB80	Bolt On Plain	80"
BBPRPLB88	Bolt On Plain	88"
BBPRPLB94	Bolt On Plain	94"

BALL HITCH BUMPERS



Model	Style	Length
BBPRBHB80	Bolt On Ball Hitch	80"
BBPRBHB88	Bolt On Ball Hitch	88"
BBPRBHB94	Bolt On Ball Hitch	94"

PINTLE HOOK BUMPERS



Model	Style	Length
BBPRPHB80	Bolt On Pintle Hook	80"
BBPRPHB88	Bolt On Pintle Hook	88"
BBPRPHB94	Bolt On Pintle Hook	94"

All bumpers come standard in a durable black powder coat finish.

Not available as standard for Ram Applications. Additional set up time for Ram applications is required.

OPTIONS:

BBOARMS—Bolt ON Bumper Arms

This alerts the factory to switch the standard bumper arms for the bolt on bumper arms when ordered with a service body.

If ordering just a bumper, consult the factory for the bumper arm part #'s for your application.